



# AI-P Lux Ionizing Air Gun

High Frequency AC Ionizer

### **Please read carefully before using the Ionizer**

- Thank you for purchasing the AI-P Lux Ionizer
- Please read the manual carefully before operating the product
- Put the product specification sheet in a visible place
- Only use the product according to the operating manual and the product's specifications; otherwise, the company assumes no responsibility

### **Please observe the following safety precautions**

1. Make sure the connector is locked before using the product
2. Use a clean air supply without oil or water
3. Stop using the gun if the air contains organic solvents, organic phosphate engine oil, or acids
4. Do not use third-party nozzle heads or modify the nozzle head
5. The lifespan of the emitter needle is dependent on the environment. A dirty needle will decrease functionality; it needs to be cleaned
6. Make sure the air hose is clean and properly connected
7. Sensitive electronic parts are installed in the product. During operation, exercise caution. Physical impacts can damage the internal components

### **Product Summary**

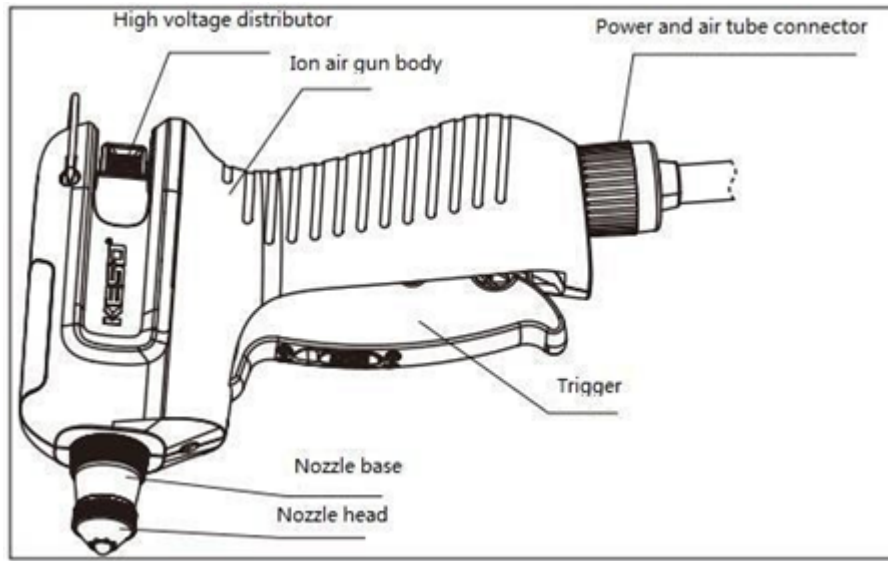
- Lightweight handheld high-frequency AC ionizing air gun
- Emits a stream of positive and negative ions
- One integrated supply line for both air and electrical
- Indicator light for abnormal high voltage functioning

### **Product Features**

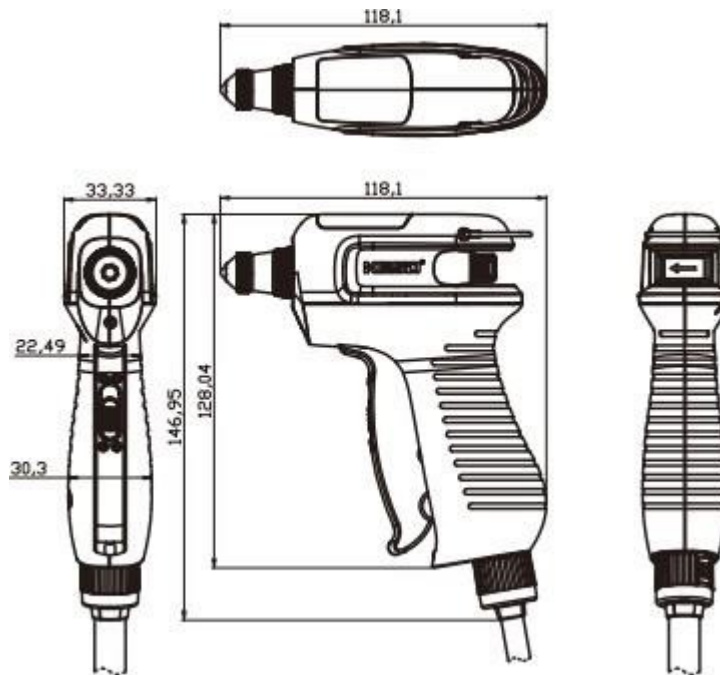
1. Built-in high voltage system to automatically balance ions to within  $\pm 15V$
2. Ionized air stream eliminates static and cleans dust
3. Fixed internal filter increases the airflow rate and decreases operation time
4. Optional nozzles are tailored for different applications
5. Ergonomic and convenient Trigger Arc design
6. Compressed air range between .05-.5 MPa
  - Use 0.1-0.3 MPa for eliminating static
  - Use 0.3-0.5 MPa for cleaning dust



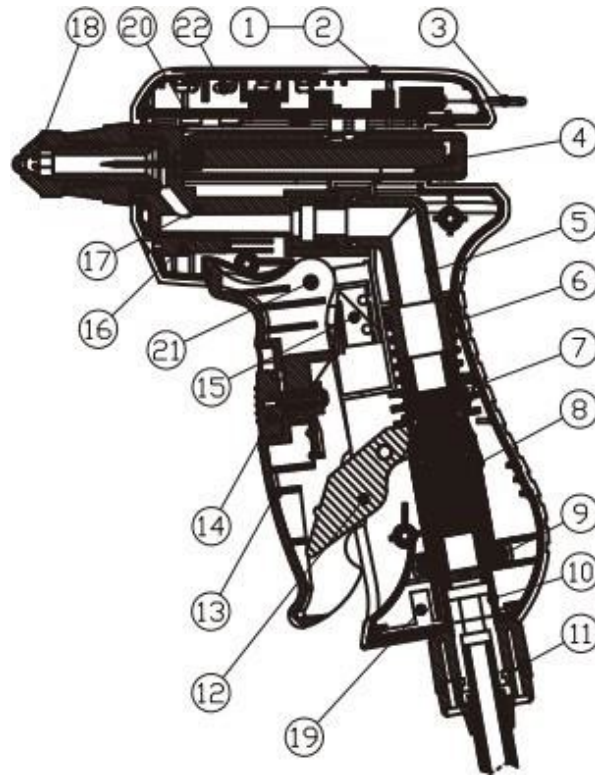
## Product Structure Diagram



## Dimensions



### Product Diagram

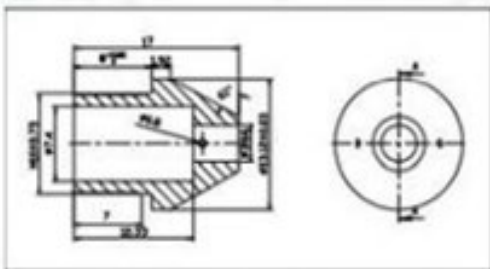


1	Left ABS housing	12	C-type latch
2	Right ABS housing	13	Trigger
3	Hanger	14	switch(ABS)- not used
4	HV module	15	switch
5	90 deg. fitting (Fireproof ABS)	16	Laser head
6	Spring	17	Inlet air base
7	Straight fitting(Fireproof ABS)	18	Spray nozzle
8	Air flow stop valve	19	Power board PCB
9	Anechoic block	20	HV control board PCB
10	Air connector	21	Trigger fulcrum
11	Electric and air connecter	22	Functional indicator display

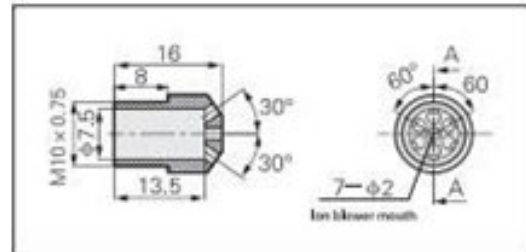
## Exploded View



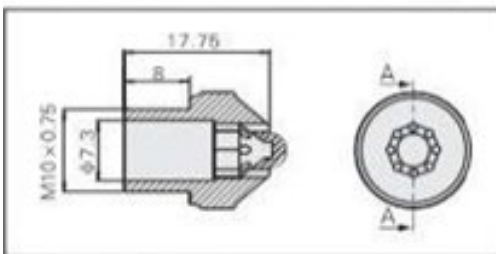
## Optional Nozzles



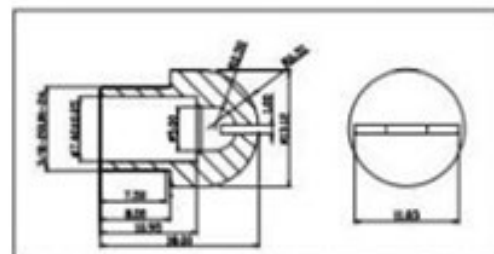
**N1-AI-P lux Standard Nozzle**



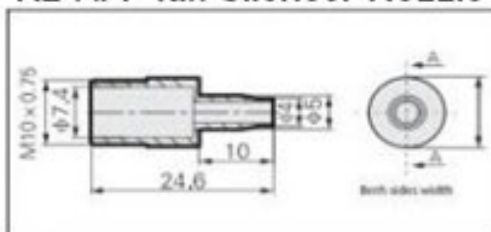
**N3-AI-P lux Spray Nozzle**



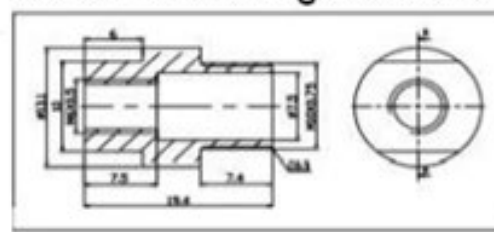
**N2-AI-P lux Silencer Nozzle**



**N4-AI-P lux Straight Nozzle**



**N5-AI-P lux Trachea Nozzle**



**N6-AI-P lux Connect Nozzle**

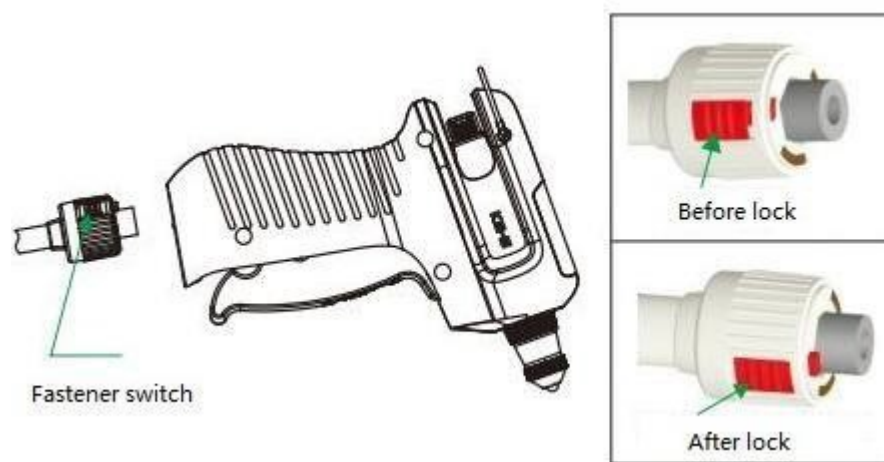
Technical Parameters:		
Model:		AI-P-Lux
Supply voltage		DC24V
High Voltage Output		2200V
Current Consumption		500mA
LED indicator	Normal Power	LED green light
	Normal HV	LED blue light
	Abnormal HV	LED red light
	Cleaning Reminder	LED yellow light
Ion Generation Method		High Frequency AC Corona
Ion Balance		0±15V
Operating Temperature Range		0°C-40°C
Air Line Diameter		φ 6 mm
Compressed Air Range		0.05-0.5MPa
Overall Size (mm)		147x118.1x33.3
Weight		175g
Ozone Concentration		Below 0.03ppm (distance 150mm)
Length of Power Adapter Cable		2 m
Hose Diameter		Φ6 trachea
Filter Precision		0.2μm
Filter Efficiency		99%

#### Static Decay Test Results

Static charge on the object	±1000V ±100V	
Environment Temperature	0 ±40 °C	
Distance (mm)	150	300
Positive Decay Time (s)	.5	.8
Negative Decay Time (s)	.6	.9
Positive/Negative Residual Voltage	<0 ±15V	

## Connecting Power and Air Supply

Position the rotating connector as shown in the picture below and then fasten the lock.



## Maintenance

Remove the nozzle, take out the ceramic tube, clean the tungsten needle with a lint-free cloth dipped in ethanol. The O-ring is replaceable. Install a new one if the existing one is damaged or leaks.

## Service

### During the Warranty Period

The warranty period of the products is one year. Within one year of the sale, any fault caused by defective parts will be repaired by the company (except quick-wear parts such as O-rings and seals).

### After the Warranty Period

After warranty period, all products will still be repaired free of labor cost (only part cost and shipping will apply).

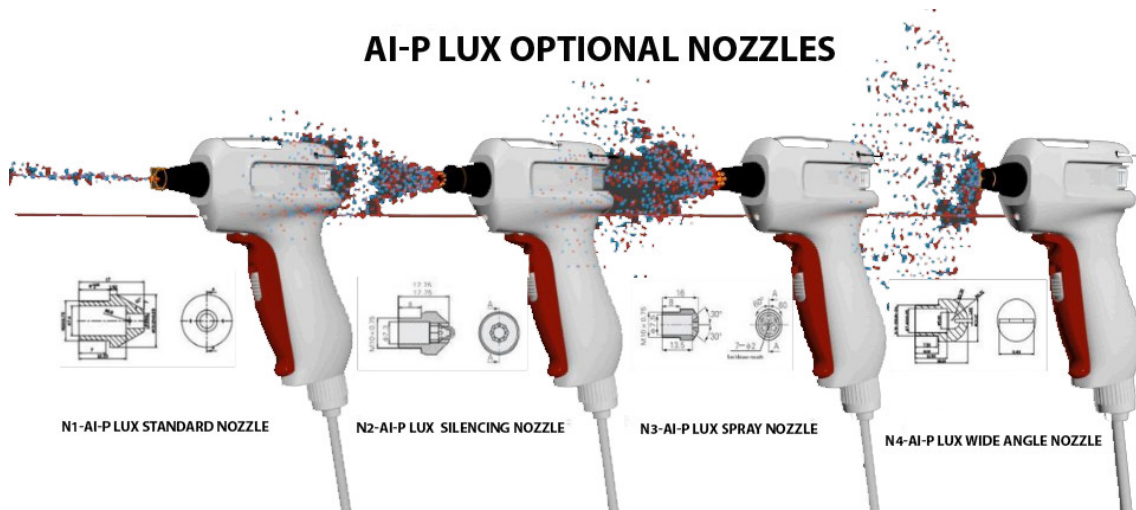
Note: The manufacturer reserves the right to modify product parameters and technology at any time without further notification.

## Package Contents

The package should contain the following components. Before using the product, please confirm that all parts are present.

- 1 set: Ionizing Air Gun
- 1 pc: DC Power Supply
- 1 pc: Electric Wire and Air Line
- 3 pcs: O-ring
- 1 pc: User Manual
- 1 pc: Warranty Card

## AI-P LUX OPTIONAL NOZZLES



## Other SMT Assembly and/or Repair and Static Protection Products



**SMT:** [www.Assembly-SMT.com](http://www.Assembly-SMT.com) [www.FineRework.com](http://www.FineRework.com) [www.X-Reflow306.com](http://www.X-Reflow306.com)

[www.X-1003.com](http://www.X-1003.com) [www.SMTrepair.com](http://www.SMTrepair.com) [www.SMTFocus.com](http://www.SMTFocus.com)

[www.SMTdispenser.com](http://www.SMTdispenser.com) [www.BestBatchOven.com](http://www.BestBatchOven.com) [www.SMT-tool.com](http://www.SMT-tool.com)

**ESD:** [www.ESDapparel.com](http://www.ESDapparel.com) [www.ESDmeters.com](http://www.ESDmeters.com) [www.ESDcarts.net](http://www.ESDcarts.net)

[www.ZeroCharge.net](http://www.ZeroCharge.net) [www.No-Stat.com](http://www.No-Stat.com) [www.ESDchair.com](http://www.ESDchair.com)

[www.ESDIabcoats.com](http://www.ESDIabcoats.com) [www.ESDbrushes.com](http://www.ESDbrushes.com) [www.SMT-ESD.com](http://www.SMT-ESD.com)

**FX:** [www.FumeXtraction.com](http://www.FumeXtraction.com) [www.Super-Iron.com](http://www.Super-Iron.com) [www.ESDgloves.info](http://www.ESDgloves.info)

