

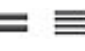
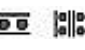









P/N: AW75 Antistatic Rotating Wheel

Technical Specifications

Wheel: Antistatic Polypropylen with center sliding bearing
Wheel tire: Thermoplastic gray rubber full, non marking tire
Metal wheel mounting: Zinc plated steel, pressed
Rotating Mounting plate: Zinc plated steel, pressed on double ball bearings



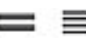






	Wheel diameter	~3" (75mm)
	Wheel width	~ .95" (24mm)
	Slide bearing	Wheel
	Double Ball bearing	Rotation:
	Hight	~4" (101 mm)
	Top Rotating plate diameter	1.2" (30.5 mm)
	Central mounting hole diameter	~.4" (10,0 mm)
	Weight	.55 lb (0,25 kg)
	Loading capacity	~132.2 lb (60 kg)

P/N: AW75/BK Antistatic Rotating Wheel with Break



Technical Specifications

Wheel: Antistatic Polypropylen with center sliding bearing
Wheel tire: Thermoplastic gray rubber full, non marking tire
Metal wheel mounting: Zinc plated steel, pressed
Rotating Mounting plate: Zinc plated steel, pressed on double ball bearings

	Wheel diameter	~3" (75mm)
	Wheel width	~ .95" (24mm)
	Slide bearing	Wheel
	Double Ball bearing	Rotation:
	Hight	~4" (101 mm)
	Top Rotating plate diameter	1.2" (30.5 mm)
	Central mounting hole diameter	~.4" (10,0 mm)
	Weight	.64 lb (0,29 kg)
	Loading capacity	~132.2 lb (60 kg)